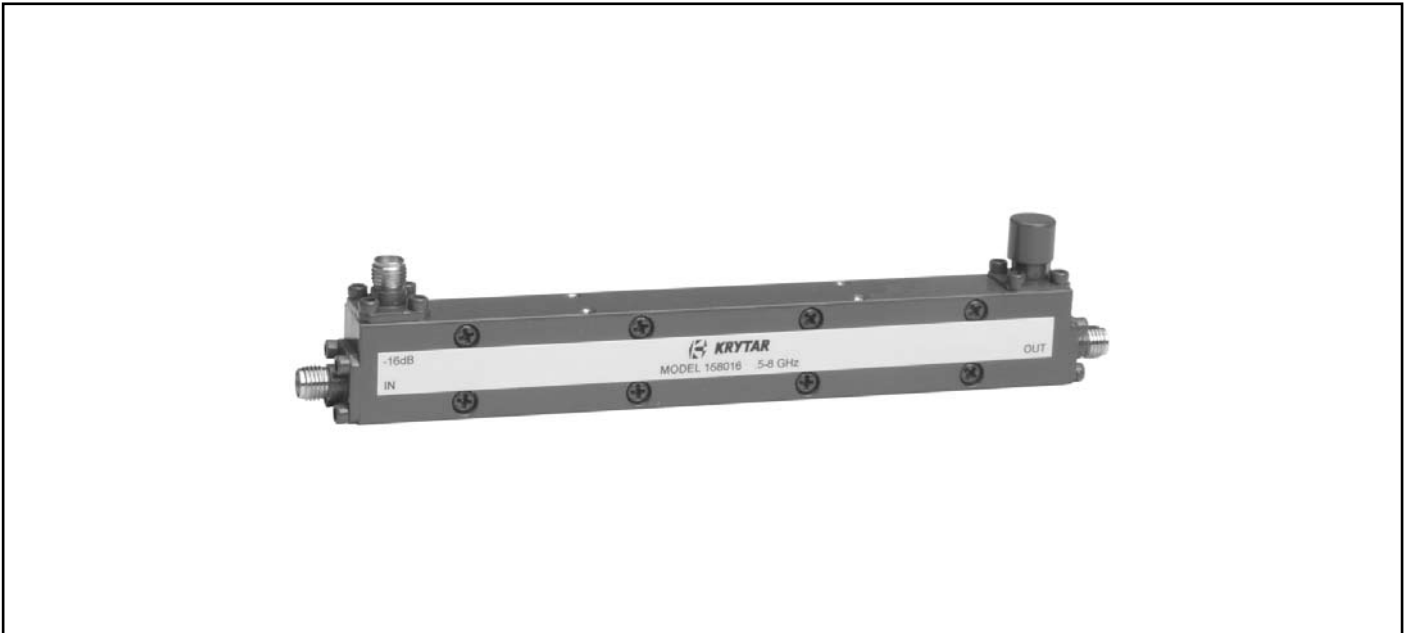


0.5-8.0 GHz DIRECTIONAL COUPLERS

SPECIFICATIONS

FREQUENCY RANGE		0.5-8.0 GHz
COUPLING (with respect to output)		
Nominal	158010	10 ± 1.0 dB
	158016	16 ± 1.0 dB
	158020	20 ± 1.0 dB
Frequency Sensitivity		± 0.6 dB
DIRECTIVITY		> 15 dB
MAXIMUM VSWR (any port)		1.35
INSERTION LOSS	158010	< 1.30 dB
(includes coupled power)	158016	< 0.85 dB
	158020	< 0.80 dB
POWER RATING (input)		
Average		20 W
Peak		3 KW
STANDARD CONNECTORS		SMA Female
Optional:	SMA Male	
	N Female	
WEIGHT (ounces)		
N Female Connectors		5.7
SMA Female Connectors		3.8
OPERATING TEMPERATURE		-54° to +85° C

DIMENSIONS
