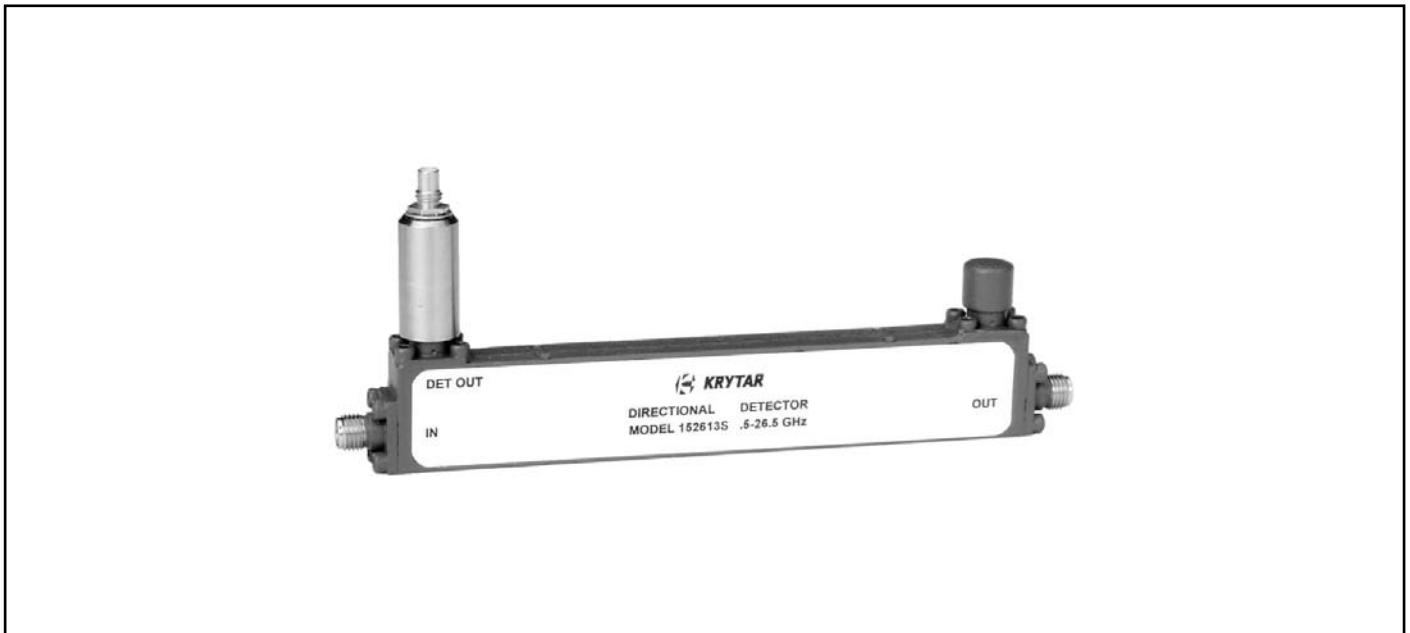


0.5-26.5 GHz DIRECTIONAL DETECTOR

SPECIFICATIONS

FREQUENCY RANGE	0.5-26.5 GHz
FREQUENCY SENSITIVITY (with respect to output)	± 1.3 dB
DIRECTIVITY	> 13 dB
MAXIMUM VSWR (any port)	1.45
INSERTION LOSS	< 1.5 dB
LOW LEVEL SENSITIVITY	$> 20 \mu\text{V}/\mu\text{W}$
DETECTOR OUTPUT POLARITY	Negative
POWER RATING (input)	2 W
STANDARD CONNECTORS	
RF	SMA Female
DET OUT	SMA Female, BNC Female, or SMC Jack
WEIGHT (ounces)	2.6
OPERATING TEMPERATURE	-54° to $+85^\circ$ C

DIMENSIONS
