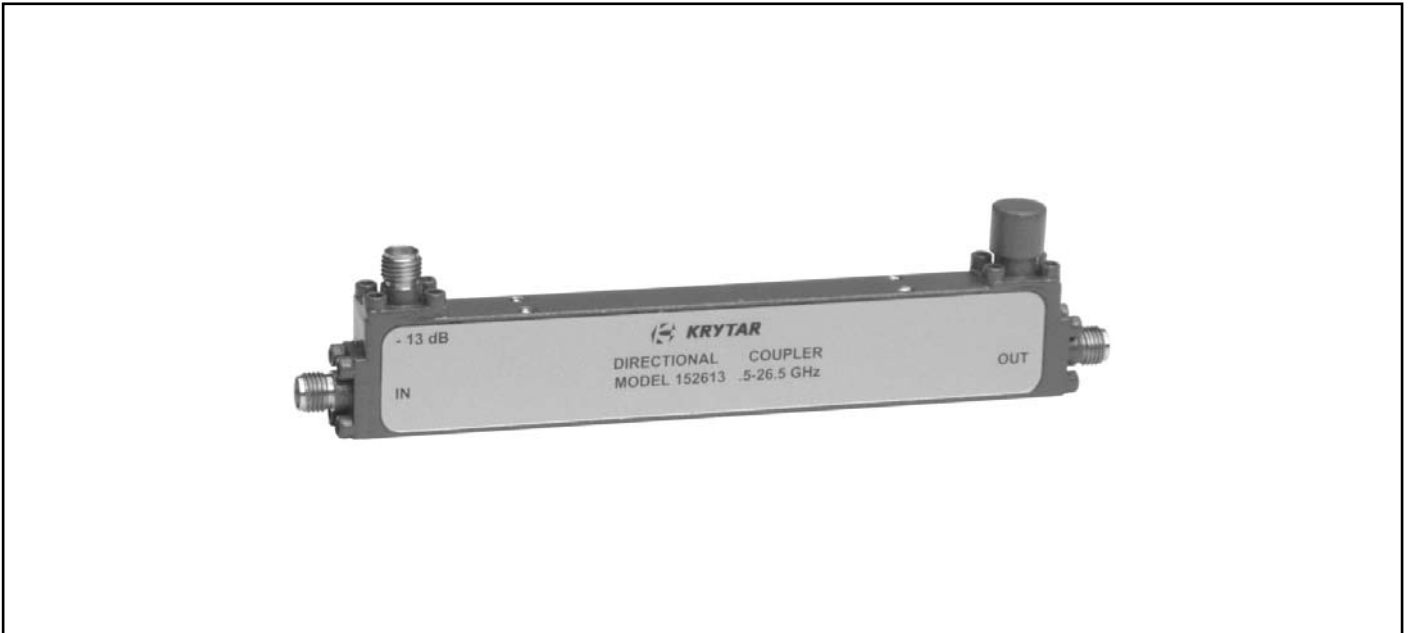


0.5-26.5 GHz DIRECTIONAL COUPLER

SPECIFICATIONS

FREQUENCY RANGE	0.5-26.5 GHz
COUPLING (with respect to output)	
Nominal	13 ± 1.0 dB
Frequency Sensitivity	± 1.0 dB
DIRECTIVITY	> 13 dB
MAXIMUM VSWR (any port)	1.45
INSERTION LOSS (includes coupled power)	< 1.5 dB
POWER RATING (input)	
Average	20 W
Peak	3 KW
STANDARD CONNECTORS	SMA Female
WEIGHT (ounces)	2.3
OPERATING TEMPERATURE	-54° to +85° C

DIMENSIONS
